


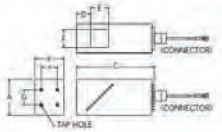
2019 Coaxial Illumination

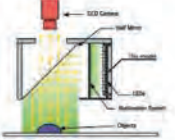
CAS2 SERIES – Uniform Mid Power Coaxial Illumination

CAS2 series is a mid power coaxial illumination. The light projected from the light source is reflected by 45° half mirror to the object and provide light parallel with the camera. CAS2 are suitable to be used in applications that involve the inspection of objects with transparent, translucent and reflective surfaces, as only the desired specular reflected light from the object is captured by the camera, thus producing a clear and bright image without reflection or glare.

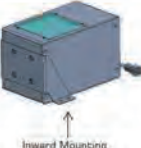
Applications: Surface Inspection and Alignment, Wafer and Metal Surface Inspection, Film, LCD & Glass, Pattern on PCB Inspection



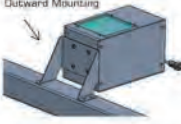




**Flexible Mounting Bracket, apply to
* CAS2-00-040-X-X-24V only.**



Inward Mounting



Outward Mounting

BRACKET PART NO. - CAS2-00-040-X-X-BRACKET

Technical Specification:

- Color Red, Green, Blue and White
- 24V DC Input Power
- Continuous and Strobe Applications
- Compact Size
- Lighting Cable 500mm

Customize Lighting:

- Customize Sizes, Mounting Requirements
- Color and Voltage Available
- Consult Technical Sales for More Information

Model	Dimensions (MM)									TAP HOLE	Color	Voltage / Watt	Current	Weight (g)
	A	B	C	D	E	F	G	H						
CAS2-00-010-X-X	36.0	29.0	77.4	14.0	18.0	18.0	15.0	16.0	M3	●●● ●●●	24V / 1.80W 24V / 3.12W	75mA 130mA	120	
CAS2-00-020-X-X	46.0	39.0	87.3	15.5	25.0	24.0	20.0	20.0	M4	●●● ●●● ●●●	24V / 1.82W 24V / 3.60W	80mA 150mA	200	
CAS2-00-025-X-X	33.0	33.0	54.0	8.0	25.0	25.6	16.0	15.0	M3	●●● ●●●	24V / 3.60W 24V / 3.84W	150mA 160mA	80	
* CAS2-00-040-X-X	66.0	60.0	107.5	14.0	48.0	48.0	25.0	25.0	M5	●●● ●●● ●●● ●●●	24V / 4.2W 24V / 8.40W 24V / 12.60W 24V / 13.44W	175mA 350mA 525mA 560mA	360	
CAS2-00-070-X-X	95.0	89.0	139.6	21.2	70.0	70.0	50.0	50.0	M5	●●● ●●● ●●●	24V / 10.80W 24V / 13.44W	450mA 560mA	740	
CAS2-00-080-X-X	81.0	104.0	125.5	12.2	65.0	84.0	45.0	50.0	M5	●●● ●●● ●●●	24V / 10.80W 24V / 10.94W	450mA 450mA	690	
CAS2-00-100-X-X	123.8	120.0	168.7	18.2	100.0	100.0	50.0	50.0	M5	●●● ●●● ●●●	24V / 10.80W 24V / 18.74W	450mA 781mA	1310	

Model	Dimensions (MM)									TAP HOLE	Color	Voltage / Watt	Current	Weight (g)
	A	B	C	D	E	F	G	H						
CAS2-00-025-X-RGB	33.0	33.0	54.0	8.0	25.0	25.6	16.0	15.0	M3	●●●	24V / 1.31W 24V / 1.33W 24V / 1.33W	54mA 54mA 54mA	90	
* CAS2-00-040-X-RGB	66.0	60.0	107.5	14.0	48.0	48.0	25.0	25.0	M5	●●● ●●● ●●●	24V / 3.00W 24V / 2.43W 24V / 2.43W	125mA 100mA 100mA	400	
CAS2-00-070-X-RGB	95.0	89.0	139.6	21.5	70.0	70.0	50.0	50.0	M5	●●● ●●● ●●●	24V / 9.24W 24V / 4.37W 24V / 4.37W	380mA 185mA 185mA	730	
CAS2-00-100-X-RGB	123.8	120.0	166.5	18.2	100.0	100.0	50.0	50.0	M5	●●● ●●● ●●●	24V / 9.68W 24V / 7.88W 24V / 7.88W	390mA 320mA 320mA	1310	



Optional Connector

Standard Lighting Male Connector



PIN 1	24V
PIN 2	-
PIN 3	GND

M8 Male Connector

M8 Pin Assignment



PIN 1	-	-
PIN 2	RED	24V
PIN 3	BLACK	GND

M12 Male Connector

M12 Pin Assignment



PIN 1	BROWN	24V
PIN 2	WHITE	-
PIN 3	BLUE	GND
PIN 4	BLACK	-
PIN 5	GRAY	-

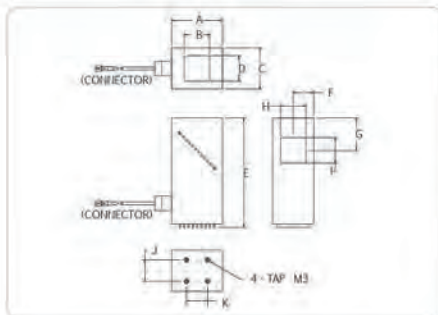
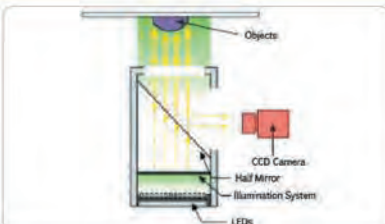
Product Part Numbering System
CAS2-00-010-X-X-24V-M8

Product Part Numbering System
CAS2-00-010-X-X-24V-M12

Coaxial Illumination

CAS2 SERIES – Uniform Mid Power Coaxial Illumination

CAS2 series is an extended version of coaxial light illumination which allow camera to be mounted at side of the object which object image is reflected to the camera. This illumination is suitable for limited camera mounting distances or bottom inspection. Compact in size.



Technical Specification:

- Color Red, Green, Blue and White
- 24V DC Input Power
- Continuous and Strobe Applications
- Compact Size
- Lighting Cable 500mm

Customize Lighting:

- Customize Sizes, Mounting Requirements
- Color and Voltage Available
- Consult Technical Sales for More Information

Model	Dimensions [MM]											Color	Voltage / Watt	Current	Weight [g]
	A	B	C	D	E	F	G	H	I	J	K				
CAS2-45-010-X-X	36.0	18.0	29.0	18.0	77.5	14.5	22.0	18.0	18.0	15.0	15.0	●●●○	24V / 1.80W	75mA	120
CAS2-45-020-X-X	46.0	25.0	39.0	24.0	87.3	19.5	28.0	24.0	25.0	20.0	20.0	●●●○	24V / 1.92W	80mA	200
CAS2-45-040-X-X	66.0	48.0	60.0	48.0	107.5	30.0	38.0	48.0	48.0	36.0	36.0	●●●○	24V / 4.2W	175mA	350

Optional Connector

Standard Lighting Male Connector

PIN 1	24V
PIN 2	-
PIN 3	GND

M8 Male Connector Pin Assignment

PIN 1	-	24V
PIN 2	RED	24V
PIN 3	-	-
PIN 4	BLACK	GND

M12 Male Connector Pin Assignment

PIN 1	BROWN	24V
PIN 2	WHITE	-
PIN 3	BLUE	GND
PIN 4	BLACK	-
PIN 5	GRAY	-

Product Pat. Numbering System : CAS2-45-010-X-X-24V-M8

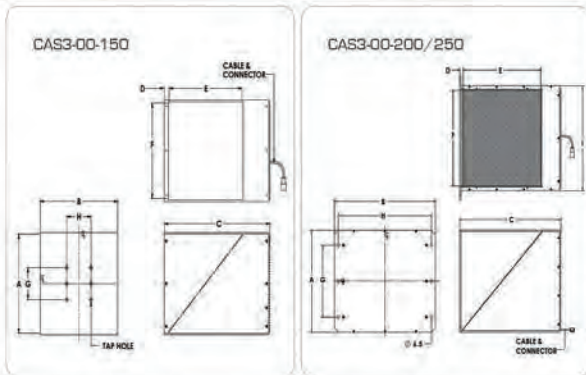
Product Pat. Numbering System : CAS2-45-010-X-X-24V-M12

Coaxial Illumination

CAS3 SERIES – Uniform High Power Coaxial Illumination

CAS3 series is a high power coaxial illumination. The light source is reflected by 45° half mirror to the object and provide light parallel with the camera. CAS3 is bigger size compare to CAS2.

Applications: Surface Inspection and Alignment, Wafer and Metal Surface Inspection, Film, LCD and Glass, Pattern on PCB Inspection



Technical Specification:
 - Color Red, Green, Blue and White
 - 24V DC Input Power
 - Continuous and Strobe Applications
 - Compact Size
 - Lighting Cable 500mm

Customize Lighting:
 - Customize Sizes, Mounting Requirements
 - Color and Voltage Available
 - Consult Technical Sales for More Information

LED wavelength (OSRAM LED Light Technology)
 - Red Led is 620nm
 - Blue Led is 450nm
 - Green Led is 540nm

Model	Dimensions (MM)									TAP HOLE	Color	Voltage / Watt	Current	Weight (g)
	A	B	C	D	E	F	G	H	I					
CAS3-00-150-X-X	160.4	160	217.5	10	150	150	50	-	M6	●●●	24V / 25.34 W	1056 mA	2000	
CAS3-00-200-X-X	213	260	260.5	9	200	200	150	240	219	-	●●●	24V / 32.40 W	1350 mA	3200
CAS3-00-250-X-X	260.6	310	309.5	9	250	250	210	290	269	-	●●●	24V / 46.66 W	1944 mA	5000

Remarks: CAS2 part numbers are changed to CAS3

Optional Connector

Standard Lighting Male Connector:

PIN 1	24V
PIN 2	-
PIN 3	GND

M8 Male Connector: Pin Assignment

PIN 1	-	-
PIN 2	RED	24V
PIN 3	-	-
PIN 4	BLACK	GND

M12 Male Connector: Pin Assignment

PIN 1	BROWN	24V
PIN 2	WHITE	-
PIN 3	BLUE	GND
PIN 4	BLACK	-
PIN 5	GRAY	-

Product Part Numbering System - CAS3-00-150-X-X-24V-M8

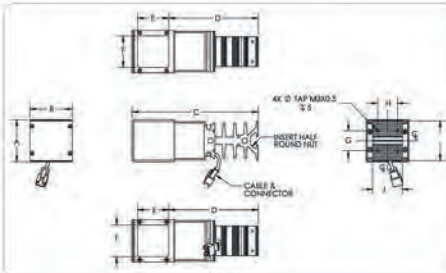
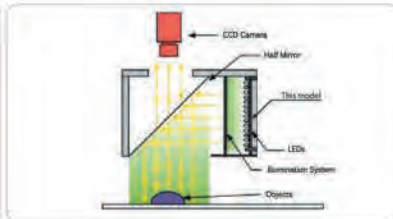
Product Part Numbering System - CAS3-00-150-X-X-24V-M12

Coaxial Illumination

HCAS2 SERIES – Uniform High Power Coaxial Illumination

HCAS2 series is a high power coaxial illumination with heat sink. The light projected from the light source is reflected by 45° half mirror to the object and provide light parallel with the camera.

Applications: Surface Inspection and Alignment, Wafer and Metal Surface inspection, Film, LCD & Glass, Pattern on PCB Inspection



Technical Specification:

- Color Red, Green, Blue and White
- 24V DC Input Power
- Continuous and Strobe Applications
- Compact Size
- Lighting Cable 500mm

Customize Lighting:

- Customize Sizes, Mounting Requirements
- Color and Voltage Available
- Consult Technical Sales for More Information

LED Wavelength (OSRAM LED Light Technology)

- Red Led is 620nm
- Blue Led is 460nm
- Green Led is 540nm

Model	Dimensions (MM)										Color	Voltage / Watt	Current	Weight (g)
	A	B	C	D	E	F	G	H	I	J				
HCAS2-00-035-X-X	46.6	47	140	99	35	35	22	22	44	33	●●●○	24V / 7.68W	320mA	268
HCAS2-00-070-X-X	76.5	77.5	170	99	65	65	52	22	74	63.5	●●●○	24V / 15.36W	700mA	798

Optional Connector

Standard Lighting Male Connector

PIN 1	24V
PIN 2	-
PIN 3	GND

M8 Male Connector

M8 Pin Assignment

PIN 1	-	-
PIN 2	RED	24V
PIN 3	-	-
PIN 4	BLACK	GND

M12 Male Connector

M12 Pin Assignment

PIN 1	BROWN	24V
PIN 2	WHITE	-
PIN 3	BLUE	GND
PIN 4	BLACK	-
PIN 5	GRAY	-

Product Part Numbering System
HCAS2-00-035-X-X M8

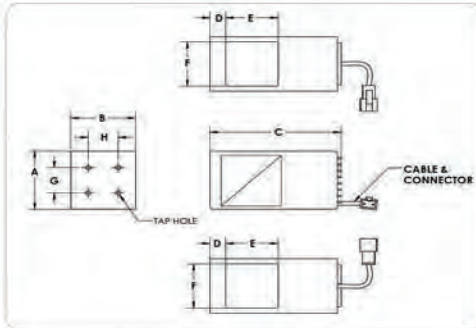
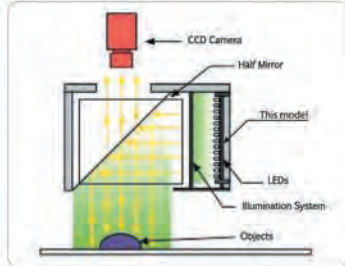
Product Part Numbering System
HCAS2-00-035-X-X M12

2019 Coaxial Illumination

CASC SERIES – Uniform Coaxial Illumination

CASC series provides coaxial illumination mostly for high magnification telecentric lenses. The light projected from the light source is reflected by a prism cube beam splitter to provide light parallel with the camera.

Applications: Surface Inspection and Alignment, Wafer and Metal Surface Inspection, Film, LCD and Glass, Pattern on PCB Inspection



Technical Specification:

- Color Red, Green, Blue and White
- 24V DC Input Power
- Continuous and Strobe Applications
- Compact Size
- Lighting Cable 500mm

Customize Lighting:

- Customize Sizes, Mounting Requirements
- Color and Voltage Available
- Consult Technical Sales for More Information

Model	Dimensions (MM)								TAP HOLE	Color	Voltage / Watt	Current	Weight (g)
	A	B	C	D	E	F	G	H					
CASC-00-015-X-X	24	30	49.5	6.1	19	19	13	13	M3	●●● 24V / 1.68W ●●○ 24V / 2.16W	70mA 90mA	100	
CASC-00-025-X-X	33.0	33.0	54.0	8.0	25.0	25.6	15.0	16.0	M3	●●● 24V / 5.52W ●●○ 24V / 5.76W	230mA 240mA	117	
CASC-00-035-X-X	45.8	43	87.3	10.5	35	35	20	20	M4	●●● 24V / 6.62W ●●○ 24V / 6.91W	276mA 288mA	318	

Optional Connector

Standard Lighting Male Connector

PIN 1	24V
PIN 2	-
PIN 3	GND

M8 Male Connector: Pin Assignment

PIN 1	-	-
PIN 2	RED	24V
PIN 3	BLACK	GND
PIN 4	-	-

M12 Male Connector: Pin Assignment

PIN 1	BROWN	24V
PIN 2	WHITE	-
PIN 3	BLUE	GND
PIN 4	BLACK	-
PIN 5	GRAY	-

Product Part Numbering System:
CASC-00-015-X-X M8

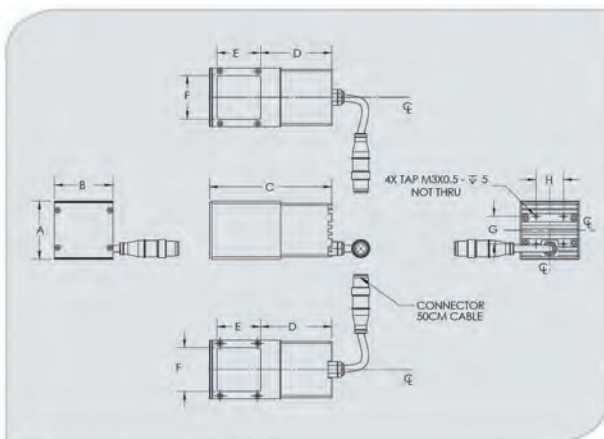
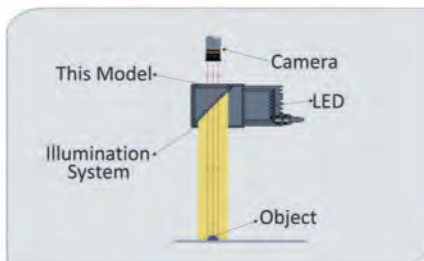
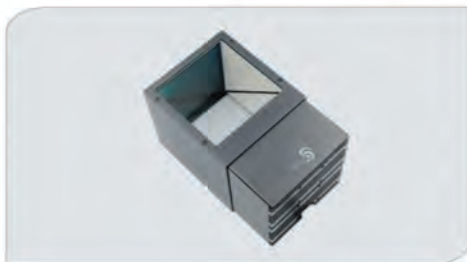
Product Part Numbering System:
CASC-00-015-X-X M12

MCAX SERIES – High Intensity Coaxial Light

MCAX series provides high intensity coaxial illumination for applications that use telecentric lenses. The light is reflected by 45 degree half mirror to provide light in line with the camera.



Applications: Surface Inspection and Alignment, Wafer and Metal Surface Inspection, Film, LCD and Glass & Pattern on PCB Inspection.

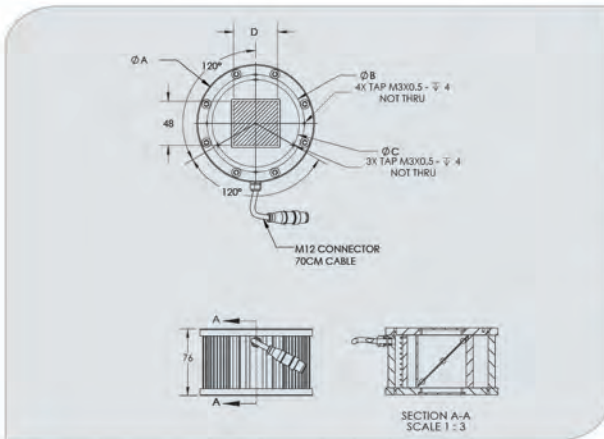
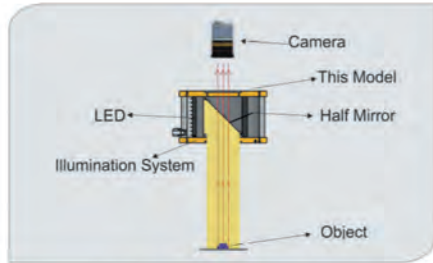
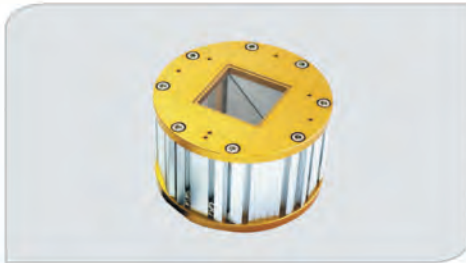


MODEL	DIMENSIONS (MM)								COLOR	VOLTAGE / WATT	CURRENT	WEIGHT (g)
	A	B	C	D	E	F	G	H				
MCAX-00-035-X-X	46.6	47	98	57	35	35	22	22	● ● ● ● ● ●	24V / 2.88W	120mA	269
MCAX-00-070-X-X	76.5	77.5	128	57	65	65	52	22	● ● ● ● ● ●	24V / 7.92W 24V / 13.20W	330mA 550mA	580

HCASP SERIES (IP65) – High Intensity Coaxial Light



HCASP series is a coaxial illumination with IP65 that emits light with high intensity on the same axis as the camera and lens. The light is reflected by 45 degrees half mirror to provide light in line with the camera.



MODEL	DIMENSIONS (MM)						COLOR	VOLTAGE / WATT	CURRENT	WEIGHT (g)
	A	B	C	D	E	F				
HCAP-00-040-X-X	128	106	95	48	48	76	•••○	24V / 12.96W 24V / 13.68W	540mA 570mA	1103