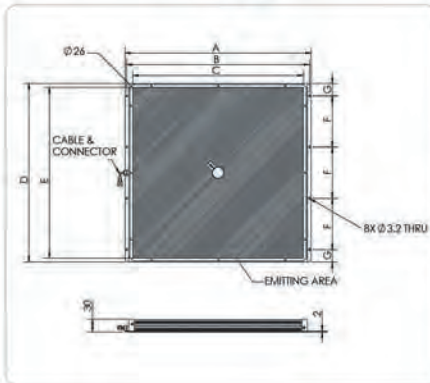
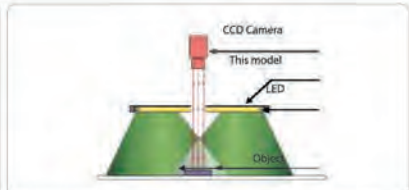
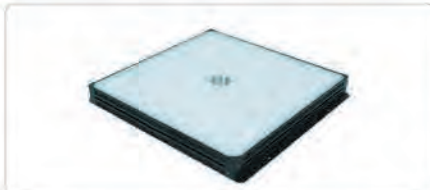


2019 Diffused Illumination

BHLQ SERIES – High Intensity Diffused Front Light

BHLQ series is a square shaped diffused illumination that provides even illumination that reduce glares and shadows.

Applications: Robotic Picking, Identification of Missing Part, Dimensions Measurements, Shape Recognition



Technical Specification:

- Color Red, Green, Blue and White
- 24V DC Input Power
- Continuous and Strobe Applications
- Compact Size
- Lighting Cable 500mm

Customize Lighting:

- Customize Sizes, Mounting Requirements
- Color and Voltage Available
- Consult Technical Sales for More Information

Model	Dimensions (MM)							Color	Voltage / Watt	Current	Weight (g)
	A	B	C	D	E	F	G				
BHLQ-00-240X240-X-X	276.0	268.0	240.0	258.0	240.0	140.0	59.0	<ul style="list-style-type: none"> ● ● ○ 24V / 28.80W ● ● ○ 24V / 38.52W 	1200mA	1500	
BHLQ-00-400X400-X-X	436.0	428.0	400.0	418.0	400.0	360.0	29.0	<ul style="list-style-type: none"> ● ● ○ 24V / 80.64W ● ● ○ 24V / 107.64W 	3360mA	2650	

Optional Connector

Standard Lighting Male Connector

PIN 1	24V
PIN 2	-
PIN 3	GND

M8 Male Connector

M8 Pin Assignment

PIN 1	-	-
PIN 2	RED	24V
PIN 3	-	-
PIN 4	BLACK	GND

M12 Male Connector

M12 Pin Assignment

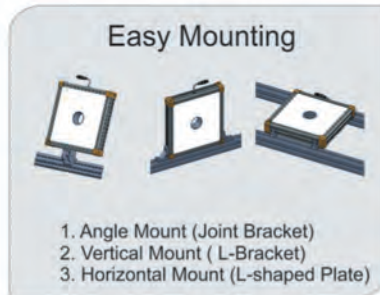
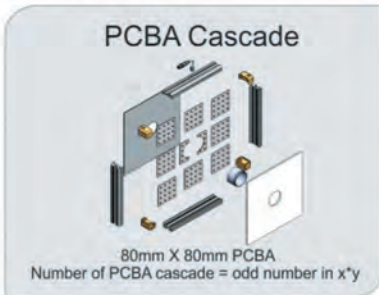
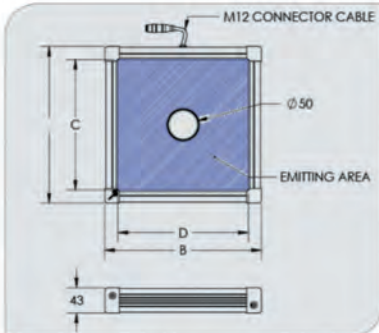
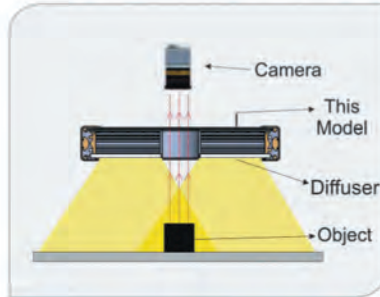
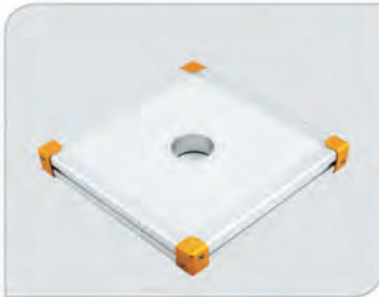
PIN 1	BROWN	24V
PIN 2	WHITE	-
PIN 3	BLUE	GND
PIN 4	BLACK	-
PIN 5	GRAY	-

Product Part Numbering System :
BHLQ-00-240X240-X-X-24V-M8

Product Part Numbering System :
BHLQ-00-240X240-X-X-24V-M12

HBBQ SERIES – Front Light with Center Hole

HBBQ series is a high intensity, diffused front light which is suitable for applications that involve wide field of view and requires uniform lighting. This product is able to be cascaded based on its 80mm x 80mm PCB size.

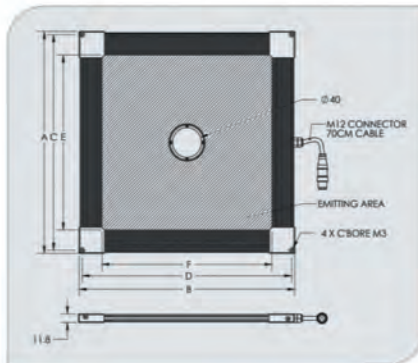
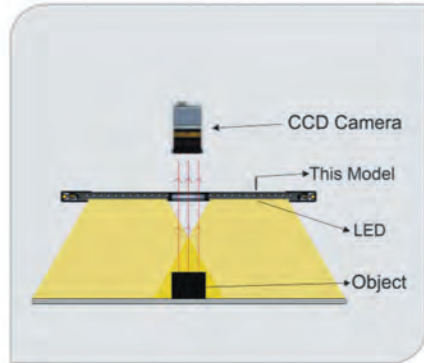


MODEL	DIMENSIONS (MM)				COLOR	VOLTAGE / WATT	CURRENT	WEIGHT (g)
	A	B	C	D				
HBBQ-00-240X240-X	266.2	266.2	227	227	RGB	24V / 25.92W 24V / 26.40W	1080mA 1100mA	1970

BHDQ2 SERIES – Thin Front Light with Center Hole



BHDQ2 series is a side-emitting diffused front light which is suitable for applications that involve wide field of view and require uniform illumination.

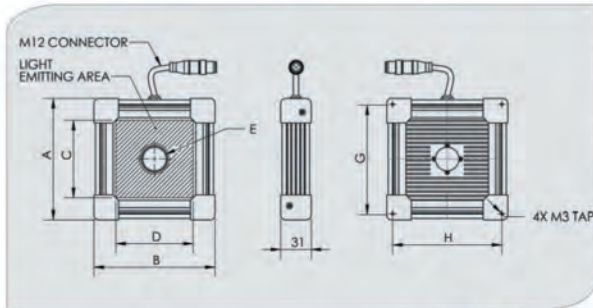
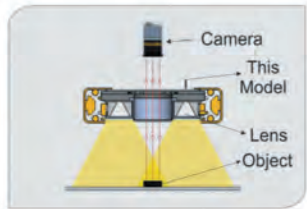


MODEL	DIMENSIONS (MM)						COLOR	VOLTAGE / WATT	CURRENT	WEIGHT (g)
	A	B	C	D	E	F				
BHDQ2-00-235X235-1	298	298	289.60	289.60	235	235	••○	24V / 14.40W	600mA	1360
BHDQ2-00-545X545-1	607.4	607.4	599	599	545	545	••○	24V / 34.56W	1440mA	4800
								24V / 34.56W	1440mA	

HBR3 SERIES – High Power Front Light with Center Hole



HBR3 series is a high power square spot illumination with a center hole which is suitable for applications that require high intensity illumination.



Feature

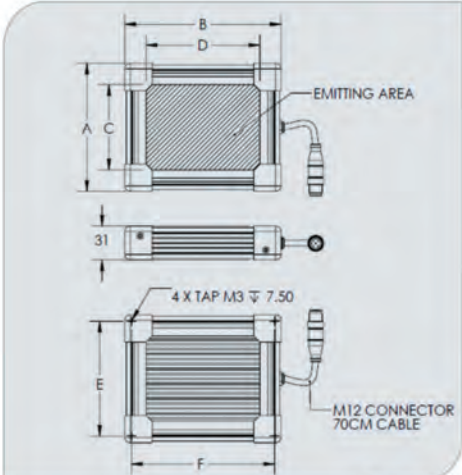
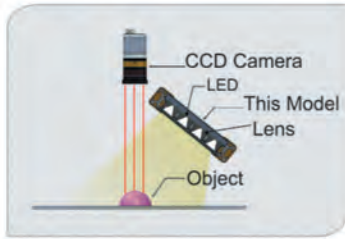
Easy Mounting

1. Angle Mount (Joint Bracket)
2. Vertical Mount (L-Bracket)
3. Horizontal Mount (L-shaped Plate)

MODEL	DIMENSIONS (MM)								COLOR	VOLTAGE / WATT	CURRENT	WEIGHT (g)
	A	B	C	D	E	G	H					
HBR3-00-090-X	123	123	84	84	Ø34	111	111	●●○	24V / 5.04W	210mA	650	
								●●○	24V / 5.52W	230mA		
								●●○	24V / 14.64W	610mA		
HBR3-00-160-X	173	173	134	134	Ø34	161	161	●●○	24V / 7.20W	300mA	1105	
								●●○	24V / 9.60W	400mA		
								●●○	24V / 8.16W	340mA		
								●●○	24V / 30.00W	1250mA		
HBR3-00-190-X	223	223	184	184	Ø74	211	211	●●○	24V / 16.90W	704mA	1600	
								●●○	24V / 14.40W	600mA		
								●●○	24V / 16.32W	680mA		

HBQ3 SERIES – High Power Front Light

HBQ3 series is a high power square spot illumination which is suitable for applications that require high intensity illumination.



Features

Easy mounting

- 1.Angle Mount (Joint Bracket)
- 2.Vertical Mount (L-Bracket)
- 3.Horizontal Mount (L-shaped Plate)

MODEL	DIMENSIONS (MM)						COLOR	VOLTAGE / WATT	CURRENT	WEIGHT (g)
	A	B	C	D	E	G				
HBQ3-00-100-3	117	143	78	104	105	131	●●○	24V / 6.72W	280mA	800
							IR860	24V / 5.04W	210mA	
							UV365	24V / 7.20W	300mA	
HBQ3-00-160-6	197	197	158	158	185	185	●●○	24V / 4.80W	200mA	1500
							IR860	24V / 20.16W	840mA	
							UV365	24V / 14.64W	610mA	
								24V / 21.60W	900mA	
								24V / 14.40W	600mA	