
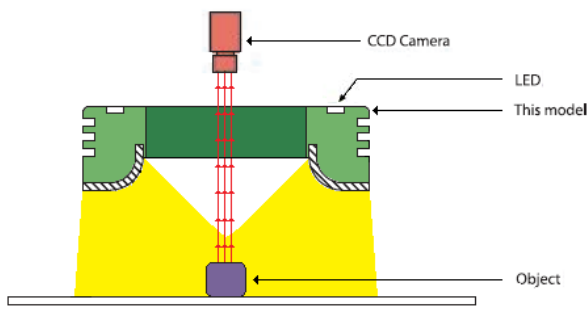
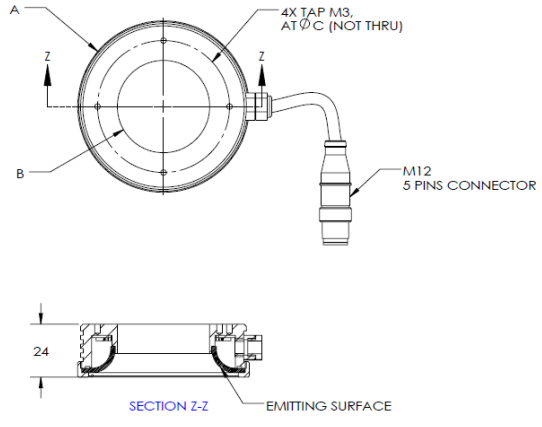

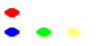


Ingress Protection Illumination (IP)

HPDP-IP SERIES – Larger uniform ring light illumination

- Ingress Protection Power LED with molded diffuses to achieves high uniform area with higher flexibility.
- Application: shining surface and food packaging.

	
	<p>Technical specification:</p> <ul style="list-style-type: none"> - Color Red, Green, Blue and White - 24V DC Input Power - Continuous and Strobe Applications - Compact Size - Lighting Cable 500mm <p>Customize Lighting:</p> <ul style="list-style-type: none"> - Customize Sizes, Mounting requirements - Color and Voltage Available - Consult Technical Sales for More Information

MODEL	DIMENSIONS (MM)				COLOR	VOLTAGE/ WATT	CURRENT
	ØA	ØB	ØC	D			
HPDP-00-070-1-X	78.0	44.0	68.0	24.0		24V / 1.80W 24V / 2.16W	75mA 90mA
HPDP-00-110-1-X	116.4	70.5	106.4	24.0		24V / 3.96W 24V / 4.37W	165mA 182mA