
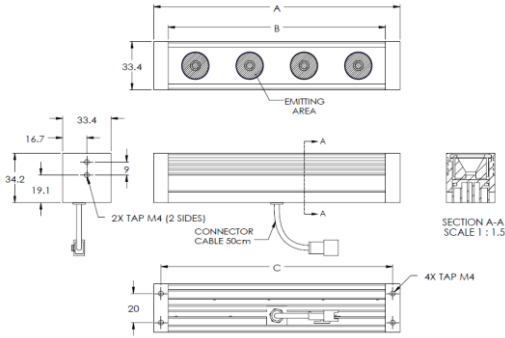
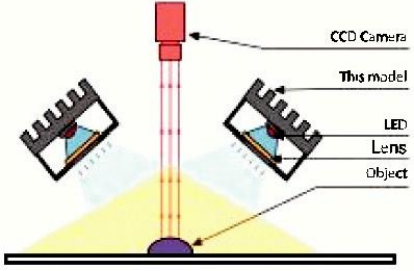

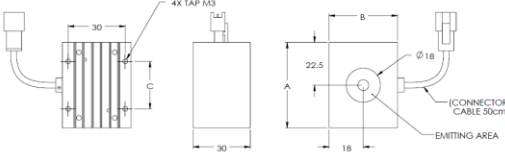


HBL2 UV SERIES – High luminosity spot light

- HBL2 UV series is a high power UV bar spot illumination to provide application that requires high intensity UV illumination.

		
		<p>Technical specification:</p> <ul style="list-style-type: none"> - UV (Ultraviolet) - 24V DC Input Power - Continuous and Strobe Applications - Compact Size - Lighting Cable 500mm <p>Customize Lighting:</p> <ul style="list-style-type: none"> - Customize Sizes, Mounting requirements - Color and Voltage Available - Consult Technical Sales for More Information

MODEL	LIGHTING DIMENSIONS (MM)			COLOR	VOLTAGE /WATT	CURRENT
	A	B	C			
HBL2-00-045-1-X	45.0	36.0	30.0	• 385nm	5V / 3W	600mA
HBL2-00-150-1-X	170.0	150.0	160.0	• 385nm	24V / 6W	250mA
HBL2-00-300-1-X	322.5	302.5	312.5	• 385nm	24V / 12W	500mA