
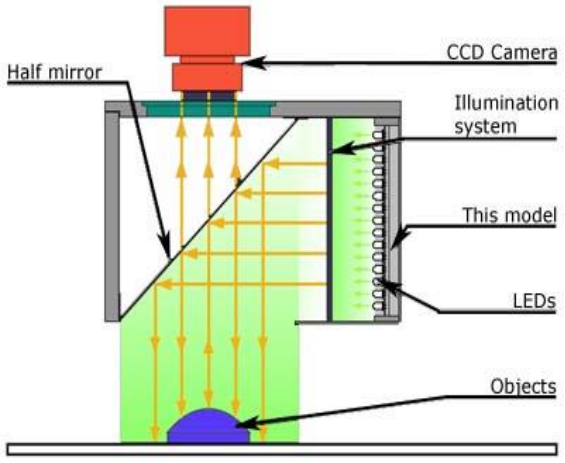
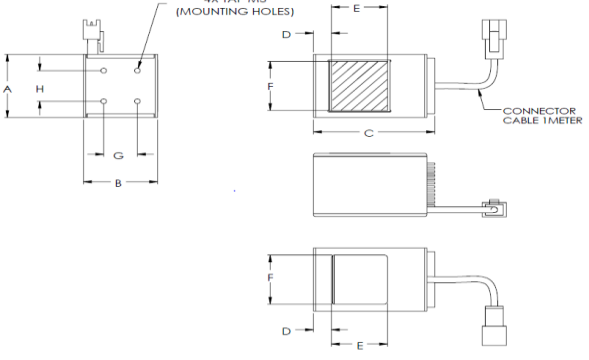


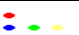
Coaxial Illumination

CASC SERIES – Even Co-axial Light

- CASC series provide co-axial illumination for high magnification tele-centric lenses. The lights are reflected by right angle prism cube beam splitter to provide light in line with the camera.

Application: surface inspection and alignment, wafer, metal surface, film, LCD and glass, pattern on PCB.

	
	<p>Technical specification:</p> <ul style="list-style-type: none"> - Color Red, Green, Blue and White - 24V DC Input Power - Continuous and Strobe Applications - Compact Size - Lighting Cable 500mm <p>Customize Lighting:</p> <ul style="list-style-type: none"> - Customize Sizes, Mounting requirements - Color and Voltage Available - Consult Technical Sales for More Information

MODEL	DIMENSIONS (MM)									COLOR	VOLTAGE/ WATT	CURRENT
	A	B	C	D	E	F	G	H	TAP HOLE			
CASC-00-025-X-X	33.0	33.0	54.0	8.0	25.0	33.0	15.0	16.0	M3		24V / 3.60W 24V / 3.84W	150mA 160mA