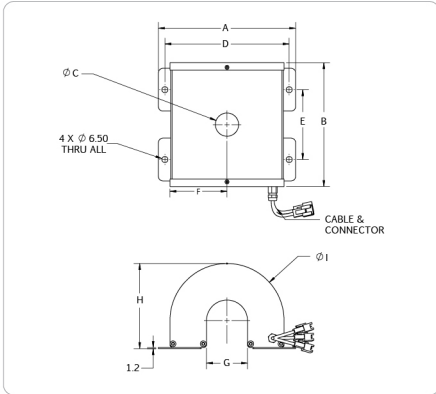
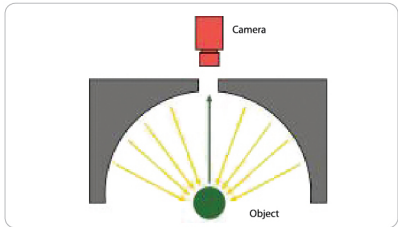




IDT3 SERIES - Tunnel Illumination

IDT3 series shines from a cylindrical surface to provide a tunnel illumination. The illumination is able to provide even illumination for long cylindrical surface.

Application: crack, chip, stains and mark on cylindrical surface or shafts.



Technical Specification:

- Color Red, Green, Blue, White & RGB
- 24V DC Input Power
- Continuous and Strobe Applications
- Compact Size
- Lighting Cable 500mm

Customize Lighting:

- Customize Sizes, Mounting requirements
- Color and Voltage Available
- Consult: Technical Sales for More Information

Model	Dimensions (MM)									Color	Voltage / Watt	Current
	A	B	ØC	D	E	F	G	H	ØI			
IDT3-00-120-1-X	1480	1330	250	1336	750	61.3	44.0	91.5	122.5	●●●	24V / 8.64W	360mA
IDT3-00-150-1-X	177.8	1630	250	1638	1039	76.3	74.0	106.5	152.5	●●●	24V / 10.80W	450mA
IDT3-00-200-1-X	227.2	1630	250	2132	1050	101.3	124.0	131.5	202.5	●●●	24V / 10.80W	450mA
										●●●	24V / 9.60W	400mA

Model	Dimensions (MM)									Color	Voltage / Watt	Current
	A	B	ØC	D	E	F	G	H	ØI			
IDT3-00-120-1-RGB	1480	1330	250	1336	750	61.3	44.0	91.5	122.5	●●●	24V / 4.80W	200mA
										●●●	24V / 3.84W	160mA
										●●●	24V / 3.84W	160mA
										●●●	24V / 6.00W	250mA
IDT3-00-150-1-RGB	177.8	1630	250	1638	1039	76.3	74.0	106.5	152.5	●●●	24V / 4.80W	200mA
										●●●	24V / 4.80W	200mA
										●●●	24V / 6.00W	250mA
IDT3-00-200-1-RGB	227.2	1630	250	2132	1050	101.3	124.0	131.5	202.5	●●●	24V / 4.80W	200mA
										●●●	24V / 4.80W	200mA

Remarks : IDT2 part numbers are changed to IDT3.