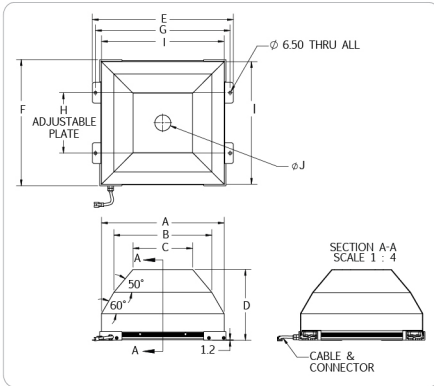
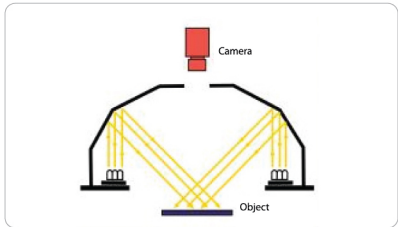
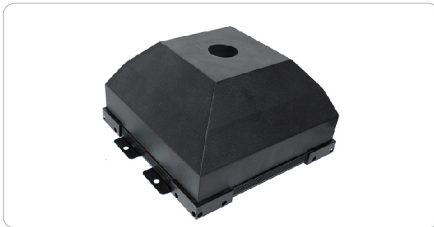




IDQ3 SERIES - Indirect Square Illumination

IDQ3 series provide even and diffuses illumination over a square area. The illumination is able to provide excellent illumination for square or rectangular objects.

Application: crack, chip, stains and mark on edge of square or rectangular object.



Technical Specification:

- Color Red, Green, Blue, White & RGB
- 24V DC Input Power
- Continuous and Strobe Applications
- Compact Size
- Lighting Cable 500mm

Customize Lighting:

- Customize Sizes, Mounting requirements
- Color and Voltage Available
- Consult: Technical Sales for More Information

Model	Dimensions (MM)										Color	Voltage / Watt	Current
	A	B	C	D	E	F	G	H	I	Ø			
IDQ3-00-120-X-X	210.0	169.6	110.9	126.2	247.2	218.0	233.2	74.0	138.2	35.0	●●●○	24V / 17.28W 24V / 15.36W	720mA 640mA
IDQ3-00-190-X-X	270.0	215.7	131.1	156.0	310.6	278.0	296.6	133.0	198.0	35.0	●●●○	24V / 25.92W 24V / 23.04W	1080mA 960mA
IDQ3-00-300-X-X	390.0	335.5	251.3	156.0	419.4	398.0	405.4	254.0	318.2	35.0	●●●○	24V / 43.20W 24V / 38.40W	1800mA 1600mA

Model	Dimensions (MM)										Color	Voltage / Watt	Current
	A	B	C	D	E	F	G	H	I	Ø			
IDQ3-00-120-X-RGB	210.0	169.6	110.9	126.2	247.2	218.0	233.2	74.0	138.2	35.0	●●●	24V / 9.60W 24V / 7.68W 24V / 7.68W	400mA 320mA 320mA
IDQ3-00-190-X-RGB	270.0	215.7	131.1	156.0	310.6	278.0	296.6	133.0	198.0	35.0	●●●	24V / 14.40W 24V / 11.52W 24V / 11.52W	600mA 480mA 480mA
IDQ3-00-300-X-RGB	390.0	335.5	251.3	156.0	419.4	398.0	405.4	254.0	318.2	35.0	●●●	24V / 24.00W 24V / 19.20W 24V / 19.20W	1000mA 800mA 800mA

Remarks : IDQ2 part numbers are changed to IDQ3