

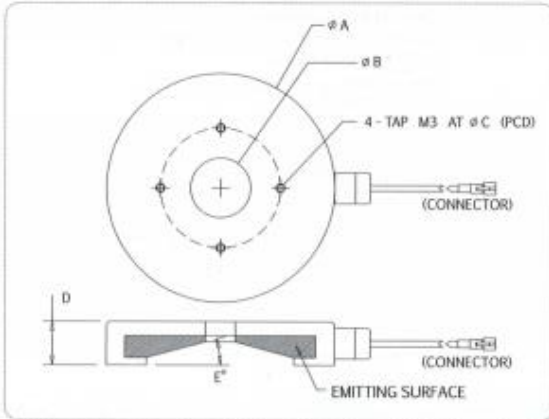
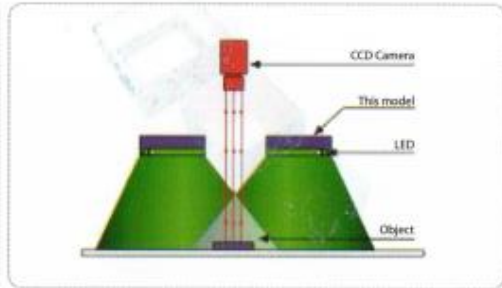
2015

Diffused Illumination

DFR3 SERIES - Diffused Angular Illumination

DFR3 series provide diffused even illumination over a surface. A conical illumination surface makes it possible to illuminate a work piece from almost any angle.

Application: printed character on IC chips, PCB component, printing on caps, and Wafer OCR inspection.



Technical Specification:

- Color Red, Green, Blue and White
- 24V DC Input Power
- Continuous and Strobe Applications
- Compact Size
- Lighting Cable 500mm

Customize Lighting:

- Customize Sizes, Mounting requirements
- Color and Voltage Available
- Consult Technical Sales for More Information

| Model | Dimensions (MM) | | | | | Color | Voltage / Watt | Current |
|-----------------|-----------------|----------|----------|------|------|-------|----------------|---------|
| | ϕA | ϕB | ϕC | D | E' | | | |
| DFR3-00-050-1-X | 50.8 | 8.0 | 25.0 | 13.0 | 0 | ●●●○ | 24V / 1.80W | 75mA |
| DFR3-00-070-1-X | 76.2 | 21.0 | 52.0 | 13.0 | 0 | ●●●○ | 24V / 2.88W | 120mA |
| DFR3-00-100-1-X | 100.0 | 30.0 | 80.0 | 13.0 | 0 | ●●●○ | 24V / 3.96W | 165mA |
| DFR3-00-120-1-X | 126.5 | 45.0 | 106.0 | 13.0 | 0 | ●●●○ | 24V / 5.04W | 210mA |
| DFR3-15-070-1-X | 76.2 | 21.0 | 52.0 | 13.0 | 15 | ●●●○ | 24V / 5.04W | 210mA |
| DFR3-15-100-1-X | 100.0 | 30.0 | 80.0 | 15.0 | 15 | ●●●○ | 24V / 6.48W | 270mA |
| DFR3-15-120-1-X | 126.5 | 30.0 | 106.0 | 18.0 | 15 | ●●●○ | 24V / 5.04W | 210mA |
| DFR3-30-050-1-X | 50.8 | 8.0 | 25.0 | 15.0 | 30 | ●●●○ | 24V / 2.88W | 120mA |
| DFR3-30-070-1-X | 76.2 | 21.0 | 52.0 | 15.0 | 30 | ●●●○ | 24V / 3.96W | 165mA |
| DFR3-30-100-1-X | 100.0 | 30.0 | 80.0 | 23.0 | 30 | ●●●○ | 24V / 5.04W | 210mA |
| DFR3-30-120-1-X | 126.5 | 30.0 | 106.0 | 28.0 | 30 | ●●●○ | 24V / 6.48W | 270mA |

Remark: The current of DFR3 is changed.