

2015

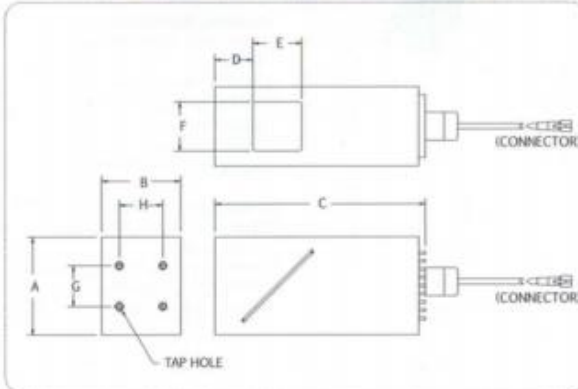
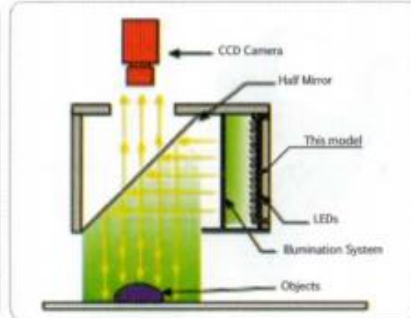
Coaxial Illumination



CAS2 SERIES- Even Co-axial Light

CAS2 series provide co-axial illumination for tele-centric lenses. The lights are reflected by 45 degrees half mirror to provide light in line with the camera.

Application: surface inspection and alignment, wafer, metal surface, film, LCD and glass, pattern on PCB.



Technical Specification:

- Color Red, Green, Blue and White
- 24V DC Input Power
- Continuous and Strobe Applications
- Compact Size
- Lighting Cable 500mm

Customize Lighting:

- Customize Sizes, Mounting requirements
- Color and Voltage Available
- Consult Technical Sales for More Information

Model	Dimensions [MM]									Color	Voltage / Watt	Current
	A	B	C	D	E	F	G	H	TAP HOLE			
CAS2-00-010-X-X	36	29	77.4	14	18	18	15	16	M3	● ● ● ○	24V/1.80W	75mA
CAS2-00-020-X-X	46	39	87.3	15.5	25	24	20	20	M4	● ● ● ○	24V/1.92W	80mA
CAS2-00-025-X-X	33	33	54	8	25	25.6	16	15	M3	● ● ● ○	24V/3.60W	150mA
CAS2-00-040-X-X	66	60	107.5	14	48	48	25	25	M5	● ● ● ○	24V/3.84W	160mA
CAS2-00-070-X-X	95	89	139.6	21.2	70	70	50	50	M5	● ● ● ○	24V/3.50W	146mA
CAS2-00-080-X-X	81	104	125.5	12.2	65	84	45	50	M5	● ● ● ○	24V/8.40W	350mA
CAS2-00-100-X-X	123.8	120	168.7	18.2	100	100	50	50	M5	● ● ● ○	24V/12.60W	525mA
										● ● ● ○	24V/13.44W	560mA
										● ● ● ○	24V/10.80W	450mA
										● ● ● ○	24V/10.94W	456mA
										● ● ● ○	24V/10.80W	450mA
										● ● ● ○	24V/18.74W	781mA

- Remarks :
1. CAS part numbers changed to CAS2
 2. Add new model CAS2-00-025-X
 3. The current of CAS2 is changed.

2015

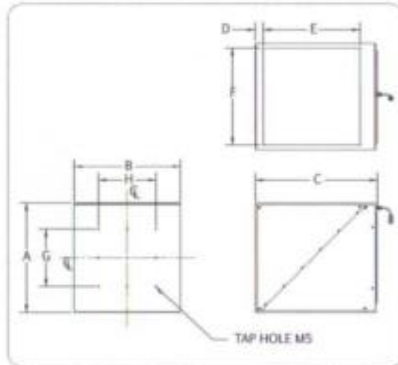
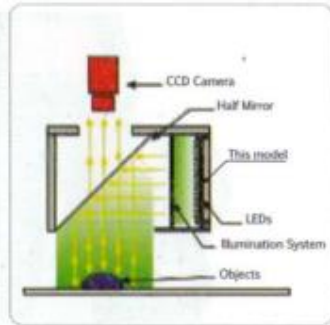
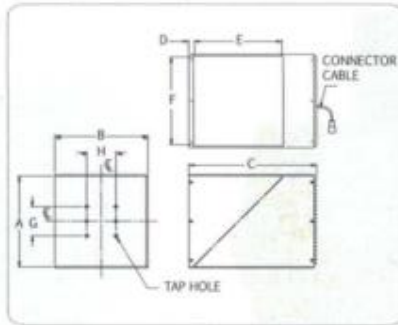
Coaxial Illumination



CAS2 SERIES - Even Co-axial Light

CAS2 series provide co-axial illumination for tele-centric lenses. The lights are reflected by 45 degrees half mirror to provide light in line with the camera.

Application: surface inspection and alignment, wafer, metal surface, film, LCD and glass, pattern on PCB.



Technical Specification:

- Color Red, Green, Blue and White
- 24V DC Input Power
- Continuous and Strobe Applications
- Compact Size
- Lighting Cable 500mm

Customize Lighting:

- Customize Sizes, Mounting requirements
- Color and Voltage Available
- Consult Technical Sales for More Information

Model	Dimensions (MM)									Color	Voltage / Watt	Current
	A	B	C	D	E	F	G	H	TAP HOLE			
CAS2-00-150-X-X	160	160	219	10	150	150	50	50	M6	●●●○	24V/25.92W	1080mA
CAS2-00-200-X-X	237.5	229.1	273	21	200	200	120	100	M5	●●●○	24V/22.68W	945mA
CAS2-00-250-X-X	282.7	282.1	320.5	22.5	250	250	150	150	M5	●●●○	24V/46.08W	1920mA
										●●●○	24V/46.80W	1950mA
										●●●○	24V/68.40W	2850mA
										●●●○	24V/67.39W	2808mA