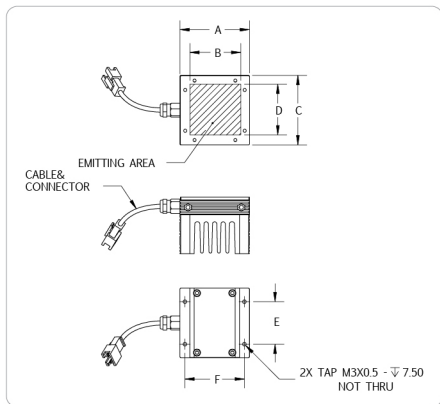
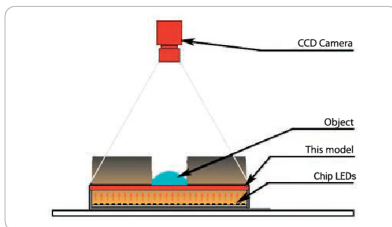


BHH SERIES - High Power Back Light

BHH series is a high power backlight which LED are arranged in a dense array and shine into a diffuser. It is suitable to use in high speed application.

Application: lead frame inspection, shape recognition, size measurement.



Technical Specification:

- Color Red, Green, Blue and White
- 24V DC Input Power
- Continuous and Strobe Applications
- Compact Size
- Lighting Cable 500mm

Customize Lighting:

- Customize Sizes, Mounting requirements
- Color and Voltage Available
- Consult: Technical Sales for More Information

| Model | Dimensions (MM) | | | | | | Color | Voltage / Watt | Current |
|----------------|-----------------|------|------|------|------|------|------------|------------------------------|----------------|
| | A | B | C | D | E | F | | | |
| BHH-00-035-X-X | 69.0 | 35.0 | 49.0 | 35.0 | 30.0 | 42.0 | ●●○ ●●○ | 24V / 3.60W 24V / 3.60W | 150mA 150mA |
| BHH-00-070-X-X | 84.0 | 70.0 | 84.0 | 70.0 | 65.0 | 77.0 | ●●○ ●●○ | 24V / 14.40W 24V / 14.40W | 600mA 600mA |